

# İSPANYOLET KOLLU PANO KİLİTLERİ

## SWING HANDLE LOCKS WITH ROD CONTROL SYSTEM

208

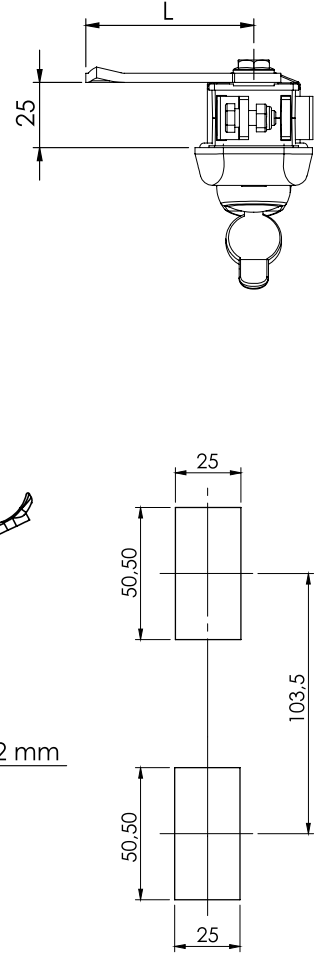
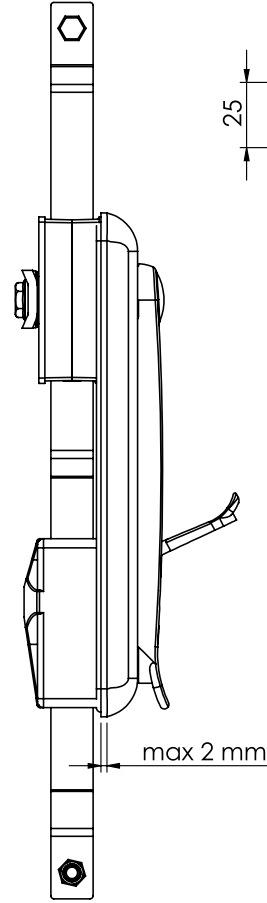
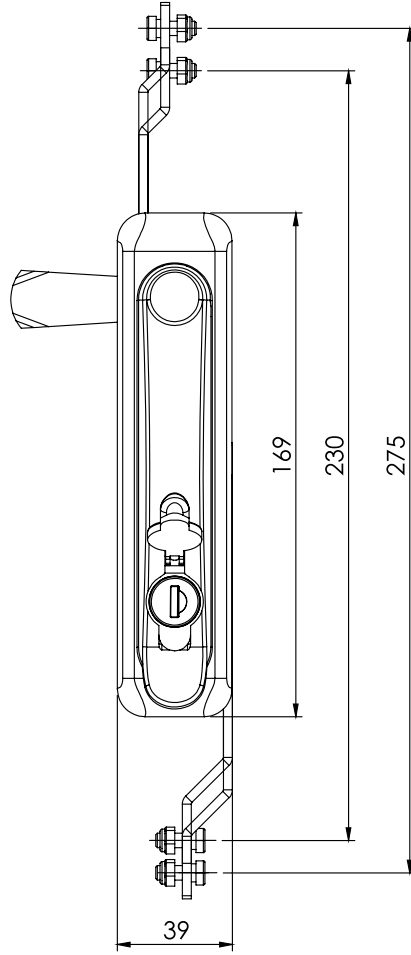
Kollu Pano Kilidi / Swing Handle

IP65

L / R



Asma Kilit  
Padlock Device Selectable



### KULLANIM ALANLARI:

Elektrik Panoları, Makine Kapakları,  
Bilgisayar Kabinleri

### APPLICATIONS:

Electric Panels, Machinery Covers,  
Rack Cabinets

MALZEME / MATERIAL	
GÖVDE BODY	Poliamid Polyamide
KOL HANDLE	Poliamid Polyamide
MEKANİZMA MECHANISM	Zamak veya Poliamid Zinc Die or Polyamide
DİL CAM	Çelik Steel
CONTA SEAL	Poliüretan Polyurethane

Kod  
Code

208

Mekanizma  
Mechanism

M

Barel  
Cylinder

CC

Dil  
Cam

CM

Asma Kilit İçin

A

Padlock Device

MEKANİZMA / MECHANISM	CODE
Zamak / Zinc Die	M1
Poliamid / Polyamide	M2

BAREL / CYLINDER TYPE (CC)	CODE	
	Aynı Şifreli / Keyed Alike	01
	Farklı Şifre / Keyed Different	02
	Eurokey (1333)	03

BAREL / CYLINDER TYPE (CC)		
11	5 mm / DB	
23	8 mm / Kare Square	
18	9 mm / Üçgen Triangle	

TIRNAKSIZ DİLLER / CAMS WITHOUT STOPPER (CM)														
	CODE	01	02	05	06	07	08	09	010	019	043	045	046	086
	H	14	24	0	16	6	12	0	7	0	0	4	10	6
	L	48	48	46	46	52	50	54	44	64	44	43	48	62