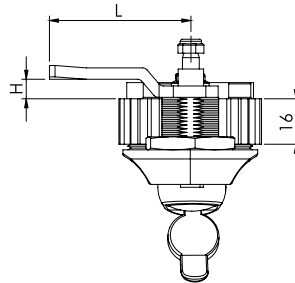
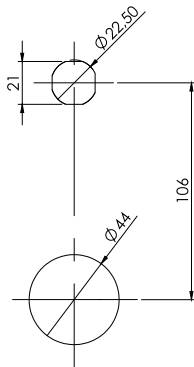
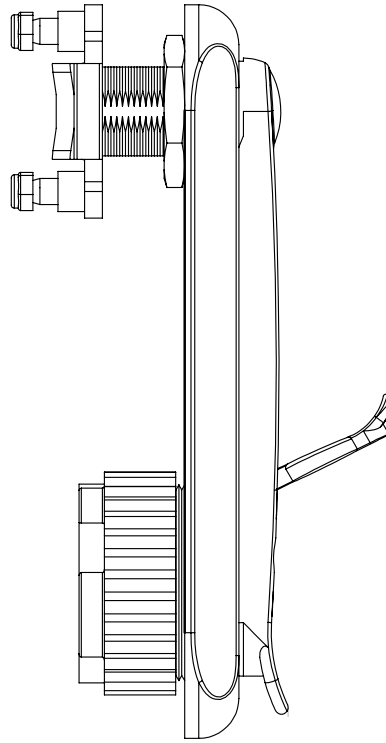
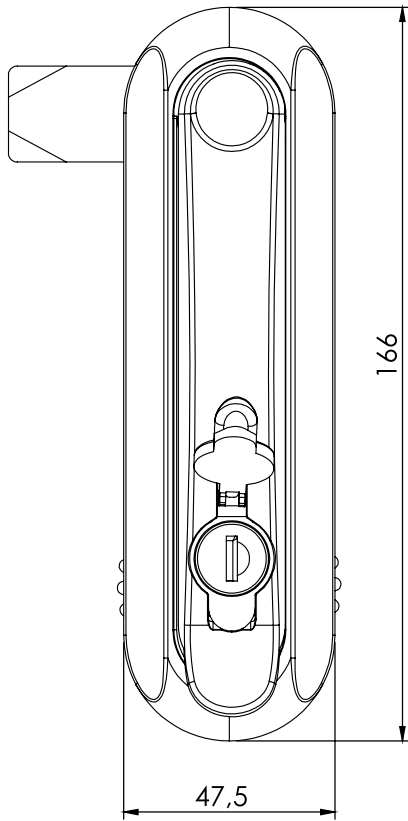


IP65 L / R

Kollu Pano Kilidi / Swing Handle

**206**



Asma Kilit  
Padlock Device Selectable

Kod  
Code  
**206**

Barel  
Cylinder  
**CC**

Dil  
Cam  
**CM**

Asma Kilit İçin  
**A**  
Padlock Device

**KULLANIM ALANLARI:**

Elektrik Panoları, Makine Kapakları,  
Bilgisayar Kabinleri

**APPLICATIONS:**

Electric Panels, Machinery Covers,  
Rack Cabinets

BAREL / CYLINDER TYPE (CC)		CODE	BAREL / CYLINDER TYPE (CC)											
	Aynı Şifreli / Keyed Alike	01	11	5 mm / DB										
	Farklı Şifre / Keyed Different	02	23	8 mm / Kare Square										
	Eurokey (1333)	03	18	9 mm / Üçgen Triangle										
<b>İSP. TIRNAKSIZ DİLLER / WITHOUT STOPPER CAMS FOR ROD CONTROL (CM)</b>														
	CODE	03	020	053	054	055	064							
	H	8	0	0	12	4	0							
	L	49	51	60	54	52	55							
<b>TIRNAKLI DİLLER / CAMS WITH STOPPER (CM)</b>														
	CODE	01	02	05	06	07	08	09	010	019	043	045	046	086
	H	14	24	0	16	6	12	0	7	0	0	4	10	6
	L	48	48	46	46	52	50	54	44	64	44	43	48	62

**MALZEME / MATERIAL**

GÖVDE BODY	Poliamid Polyamide
KOL HANDLE	Poliamid Polyamide
DİL CAM	Çelik Steel
O'RING	Kauçuk Rubber