

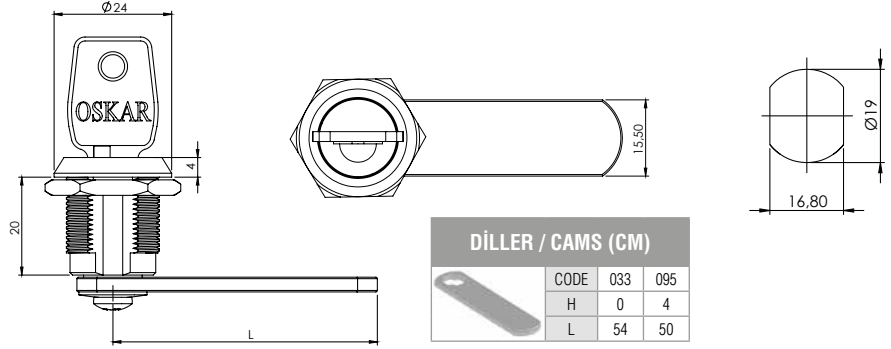
ÇEKMECE KİLİTLERİ CAM LOCKS

107

Mandallı Kilit (Master Sistem) / Cam Lock (Master System)



500 Farklı Şifre / 500 Different Keycodes



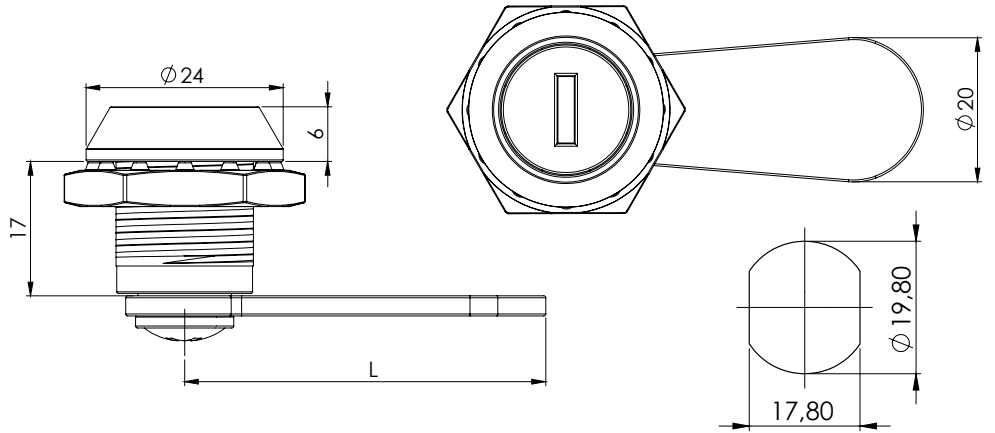
113

Mandallı Kilit (Tornavida Başlı) / Cam Lock (Screwdriver Key)



MALZEME / MATERIAL

KOVAN/HOUSING	Zamak/Zinc Die
BAREL/CYLINDER	Zamak/Zinc Die
SOMUN/NUT	Zamak/Zinc Die
DİL /CAM	Çelik /Steel
YÜZEY/FINISHING	Krom Kaplama Chrome Plated



Kod
Code

113

Dil
Cam

CM

223

Mandallı Kilit / Cam Lock



KULLANIM ALANLARI:

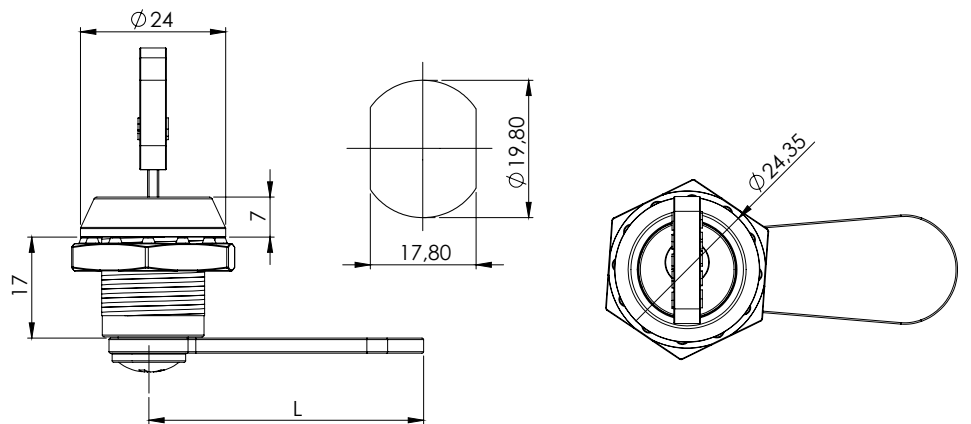
Çelik Dolap, Posta Kutusu,
Elektrik Panoları, Makine Kapakları

APPLICATIONS:

Steel Drawers, Post Boxes,
Electric Panels, Machinery Covers

MALZEME / MATERIAL

KOVAN/HOUSING	Poliamid/Polyamide
BAREL/CYLINDER	Zamak/Zinc Die
SOMUN/NUT	Zamak/Zinc Die
DİL/CAM	Çelik/Steel



BAREL / CYLINDER TYPE (CC)

CODE

	Aynı Şifre (Birbirini Açar) - Keyed Alike	01
	200 Farklı Şifre/200 Different Keycodes	02
	Eurokey (1333)	03

Kod
Code

223

Barel
Cylinder

CC

Dil
Cam

CM

DİLLER / CAMS (CM)

	CODE	074	075 Kancalı Hook	076	077	078	079	080	081	082	083	084	085
	H	0	0	2	4	6	8	10	0	2	4	8	10
	L	45	44	45	44	42	42	40	49	48	48	46	45